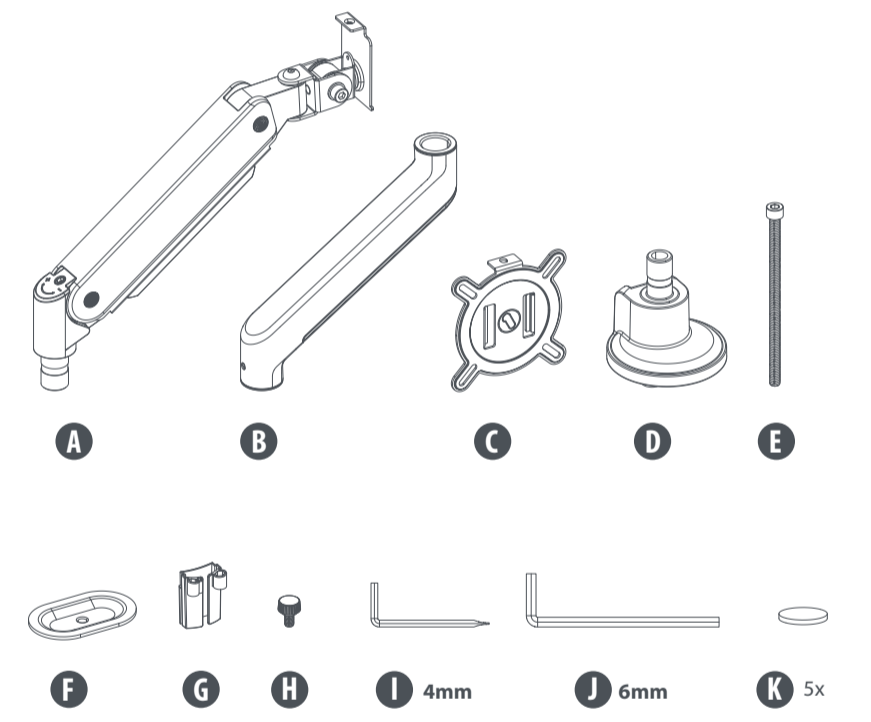
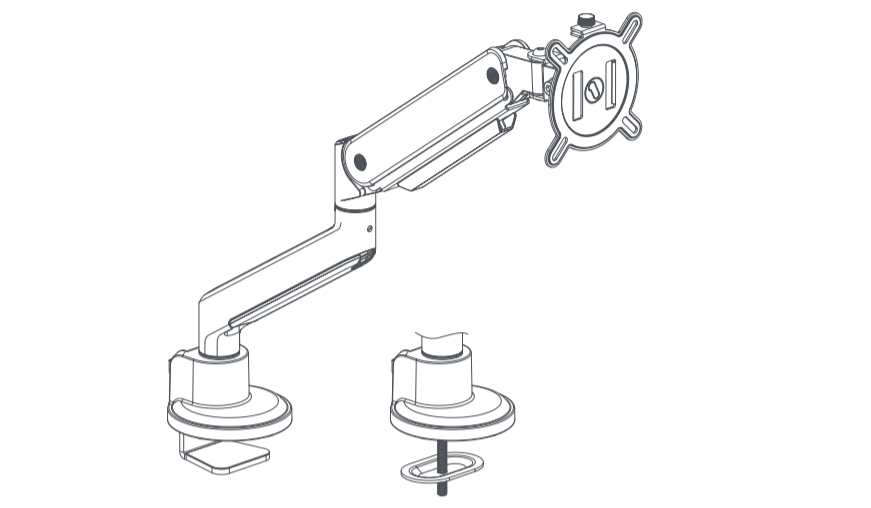


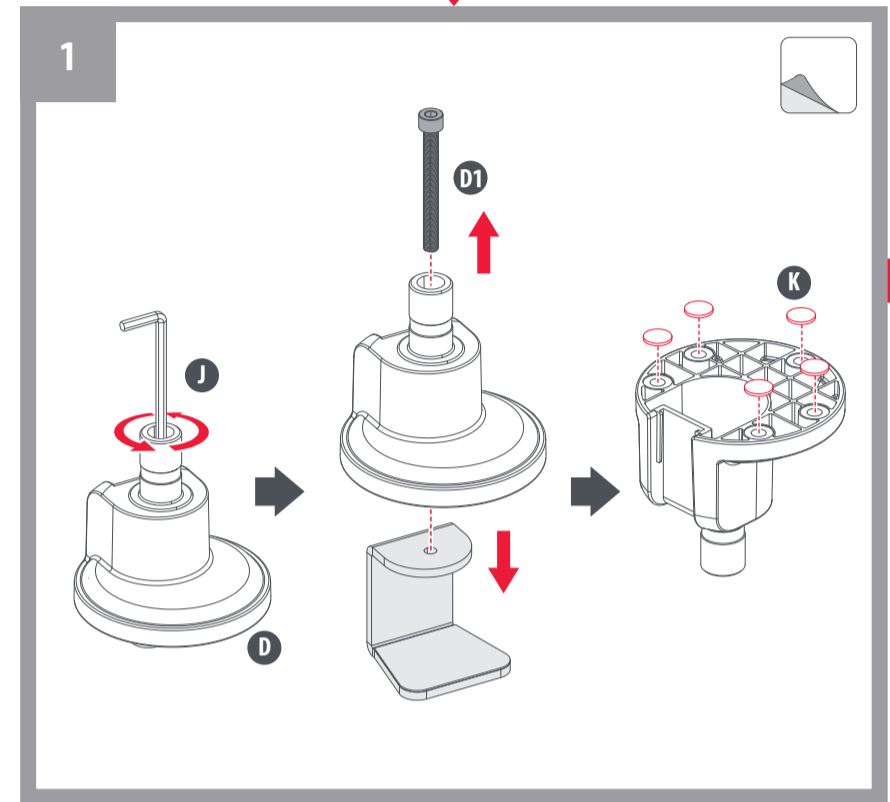


Universal
100 x 100 max



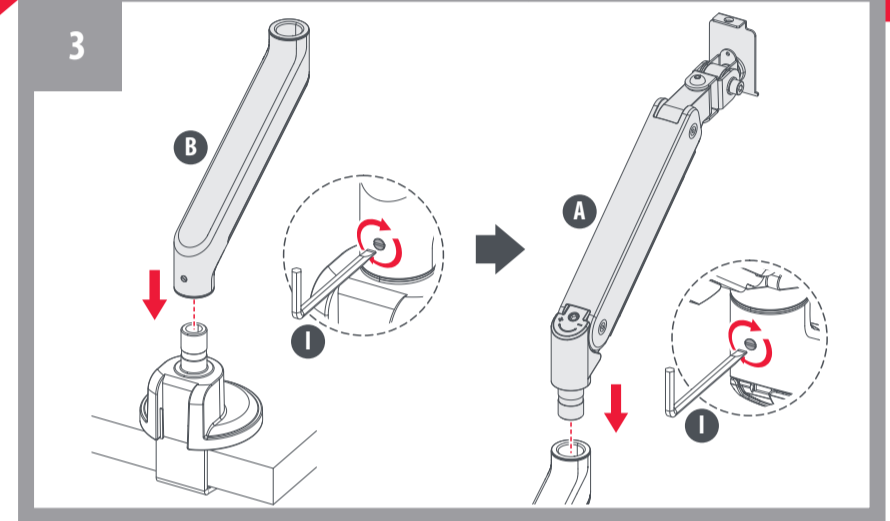
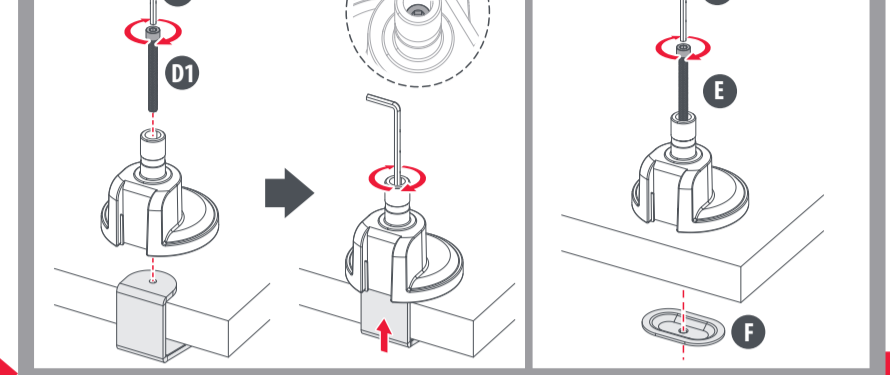
- Package M**
- M-A 4 x M4x12mm
 - M-B 4 x M4x16mm
 - M-C 4 x M5x12mm
 - M-D 4 x M5x16mm
 - M-E 4 x D5
 - M-F 4 x ø15xø8x5mm
- Separate the waste
Differenzia i Rifiuti
-
- <http://www.oneforall.com/documents>
- Universal Electronics B.V. - Europe & International
P.O. Box 3332, 7500 DH Enschede
The Netherlands
DNM110/DM1120
713617
RDN-1250924

START

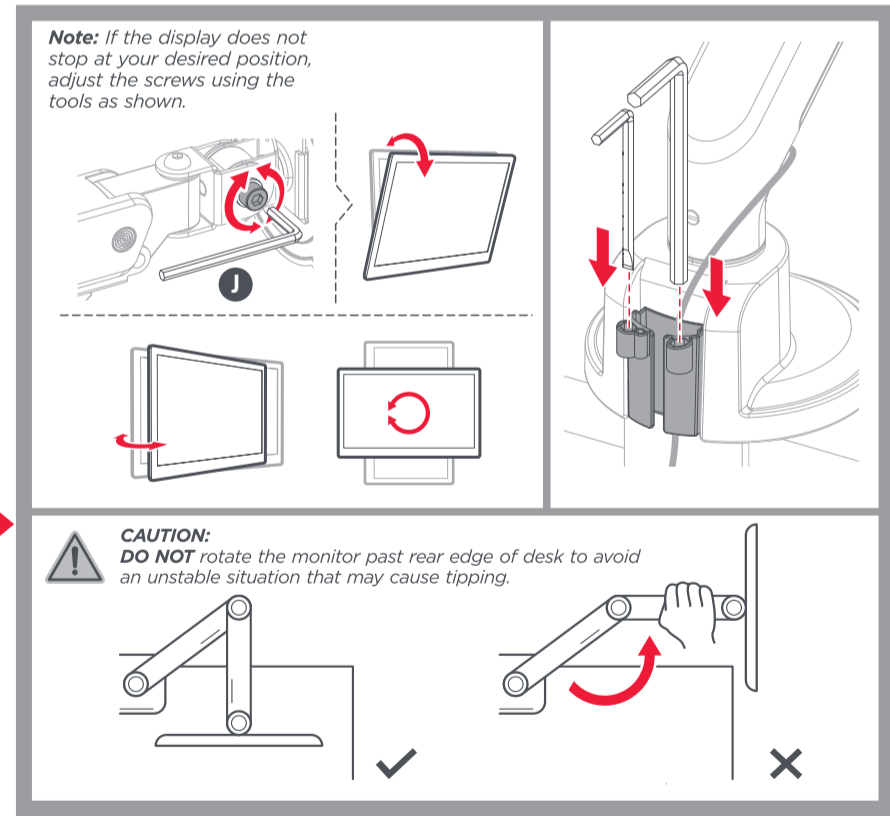
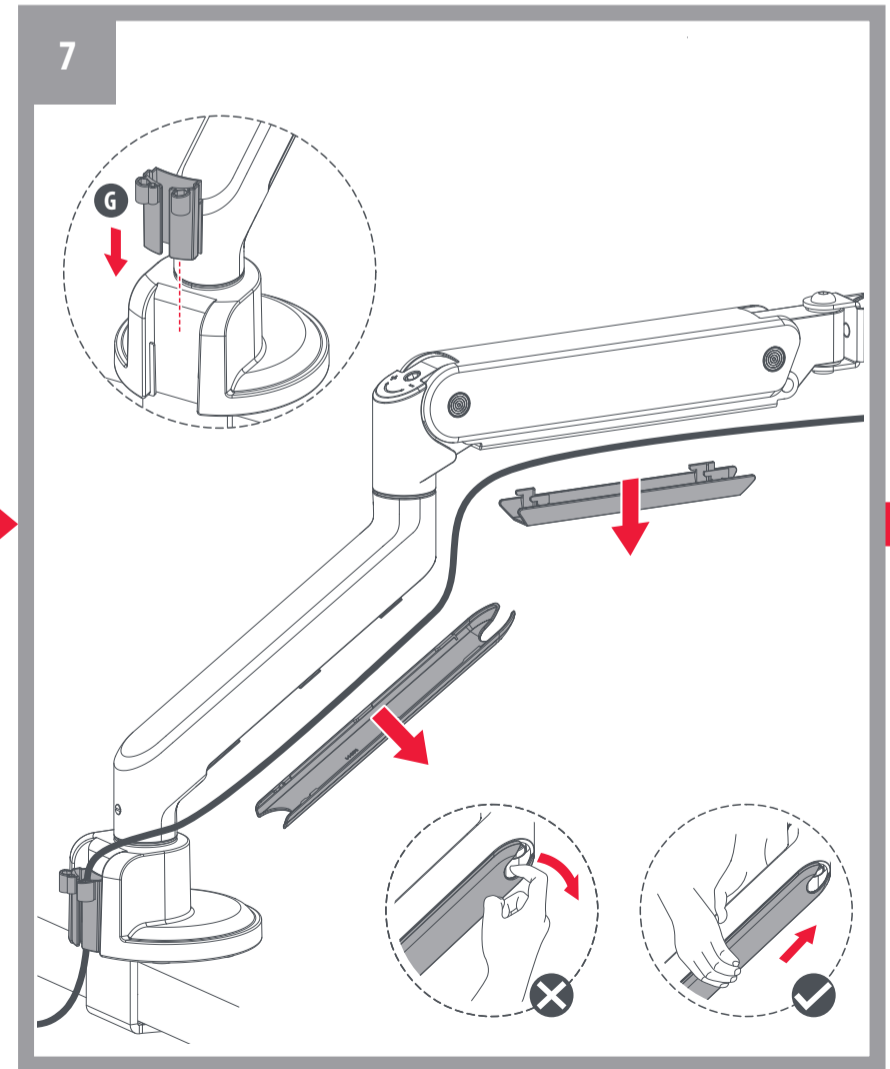
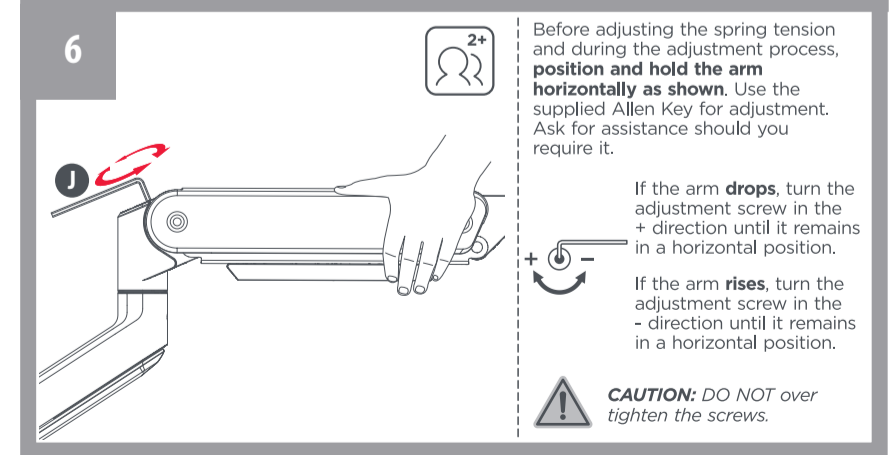
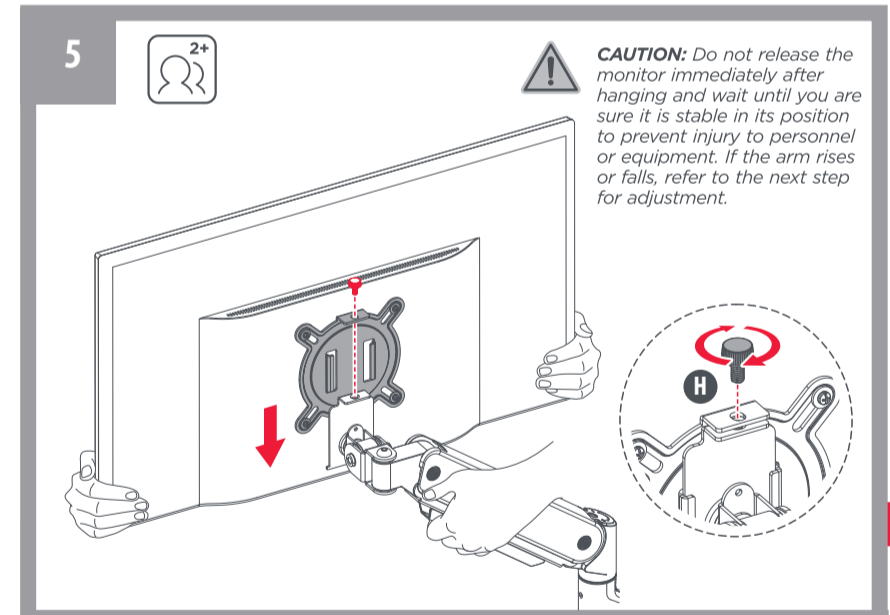
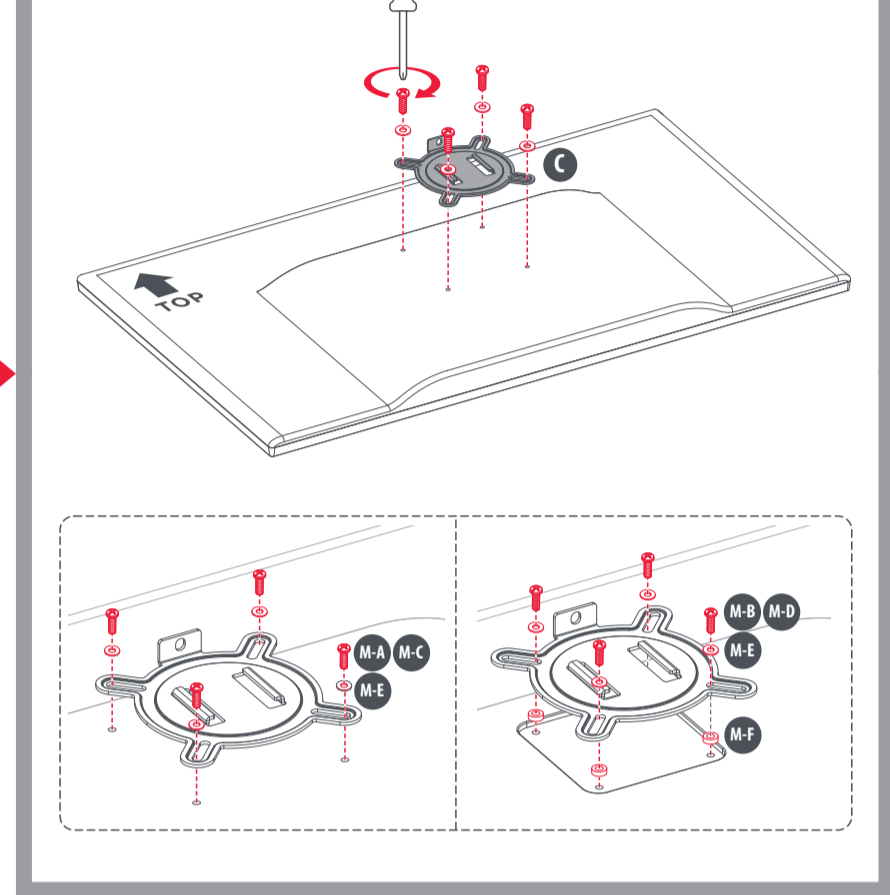


2a CLAMP INSTALLATION
for 10-50mm thickness desks

2b GROMMET INSTALLATION
for 10-50mm thickness desks & Ø10-60mm installation holes



4



FINISH